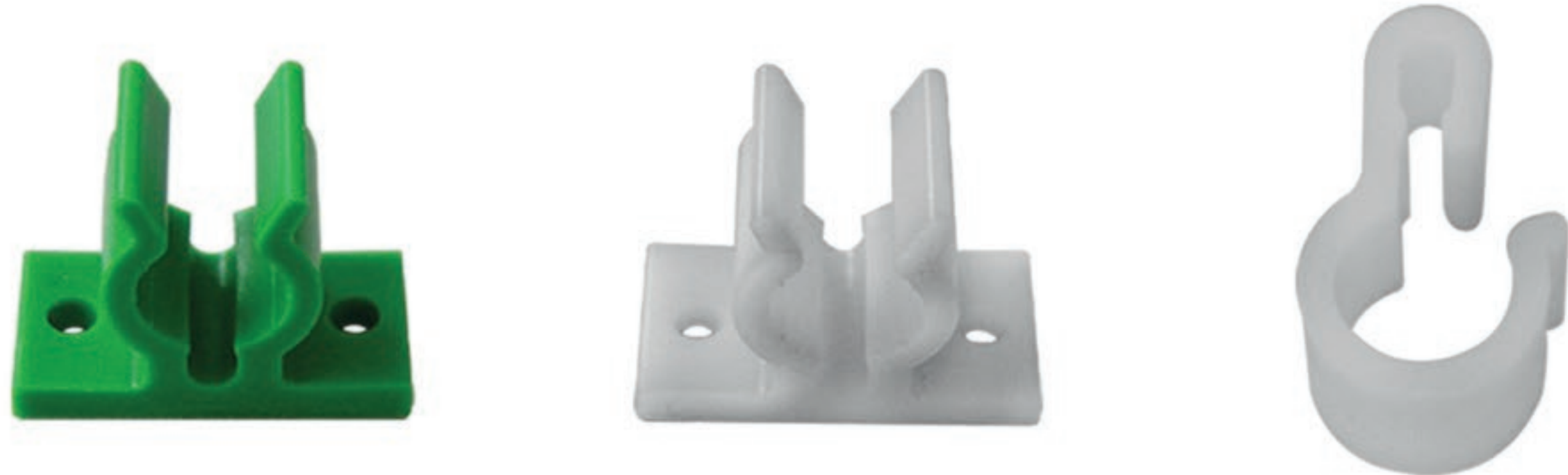




CONNECTION - CLAMP

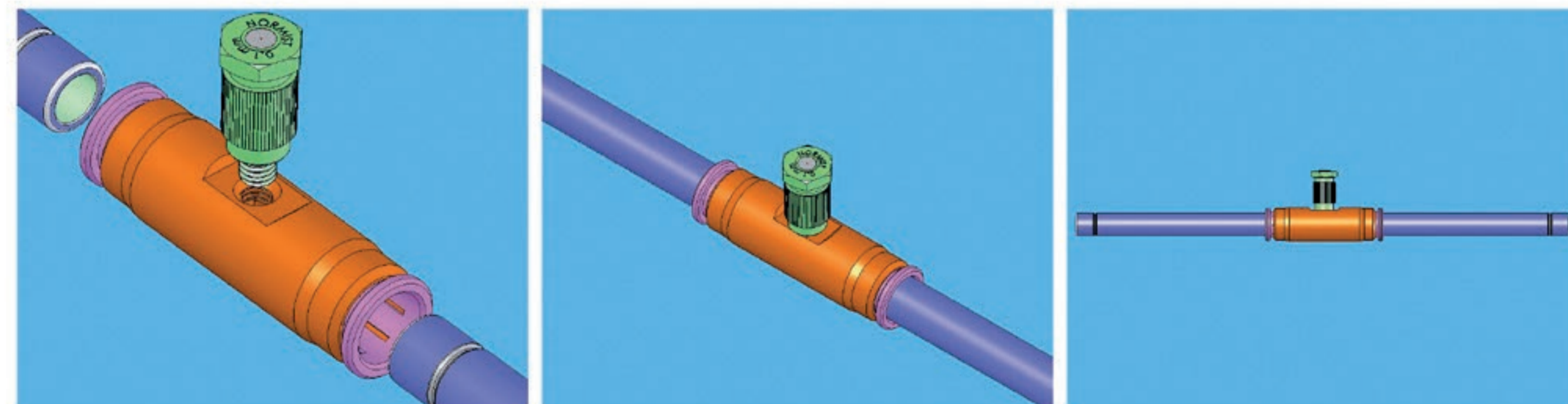
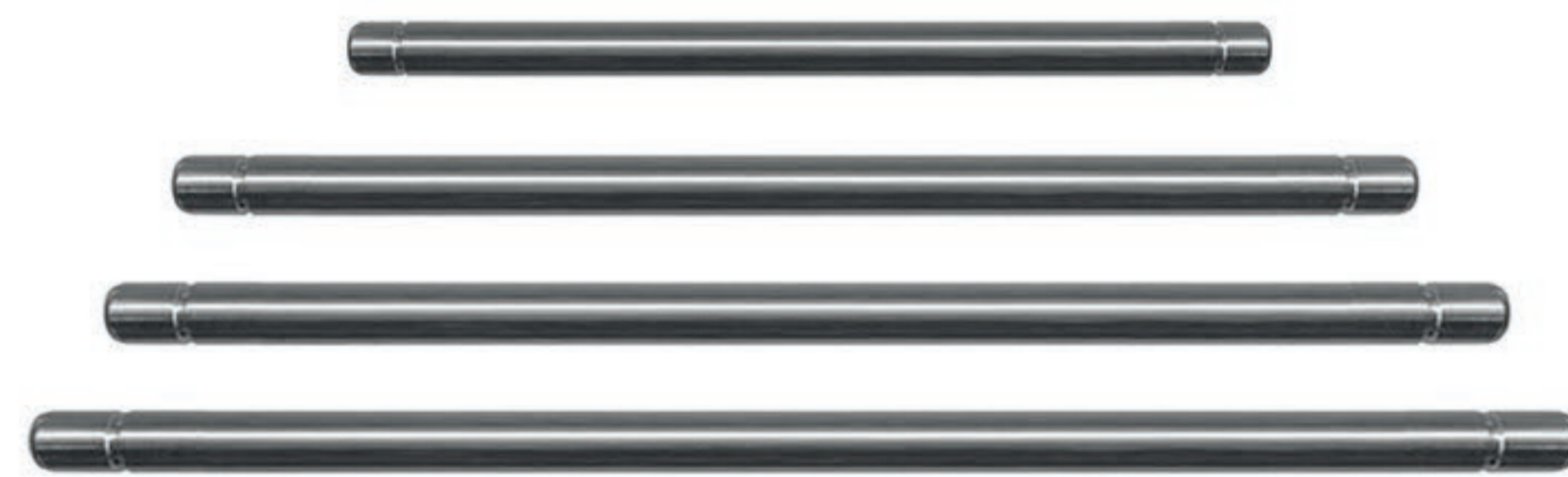
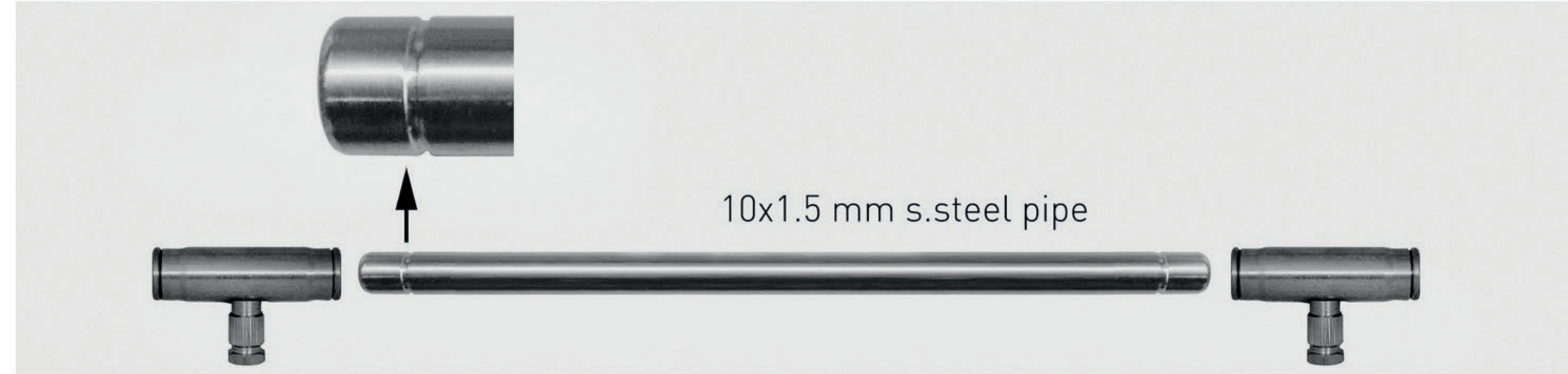
CLIPS AND HANGERS



TUBING & CLIPS

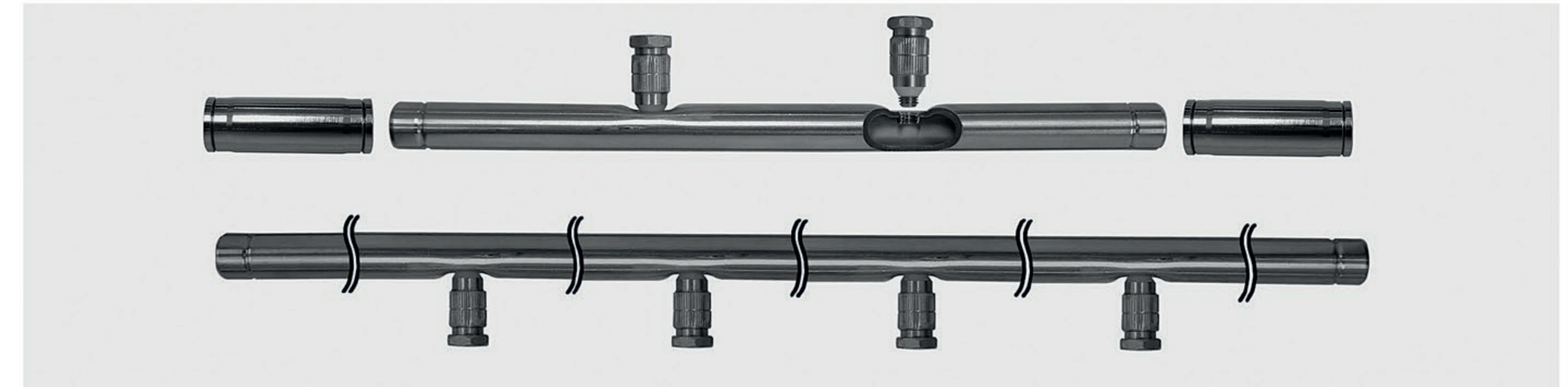
USAGE OF STAINLESS STEEL TUBES WITH OUR NEW NORMATIC® FITTING SYSTEM

10x1.5 mm S. Steel pipe. This tube is used as a nozzle line. The pipe itself doesn't carry nozzles. Nozzles are on located special NORMATIC® push-in fittings. Available lengths are 75, 100, 120, 150, 200, 250, 300 cm. Working pressure is 100 Bar, burst pressure is 400 Bar. For more info refer to pressure lost chart.



12x1.5 mm S. Steel pipe. This tube is used as a main supply line for 10x1.5 mm tubes as well as a nozzle line. Available lengths are 3 and 6 meters. They can carry 2 to 12 nozzles with different spacing. Connection between pipes is made by compression fittings or by our special push in fittings. Working pressure is 150 Bar, burst pressure is 330 Bar. For more info refer to the pressure lost chart.

NORMATIC® PUSH IN FITTING CONNECTION

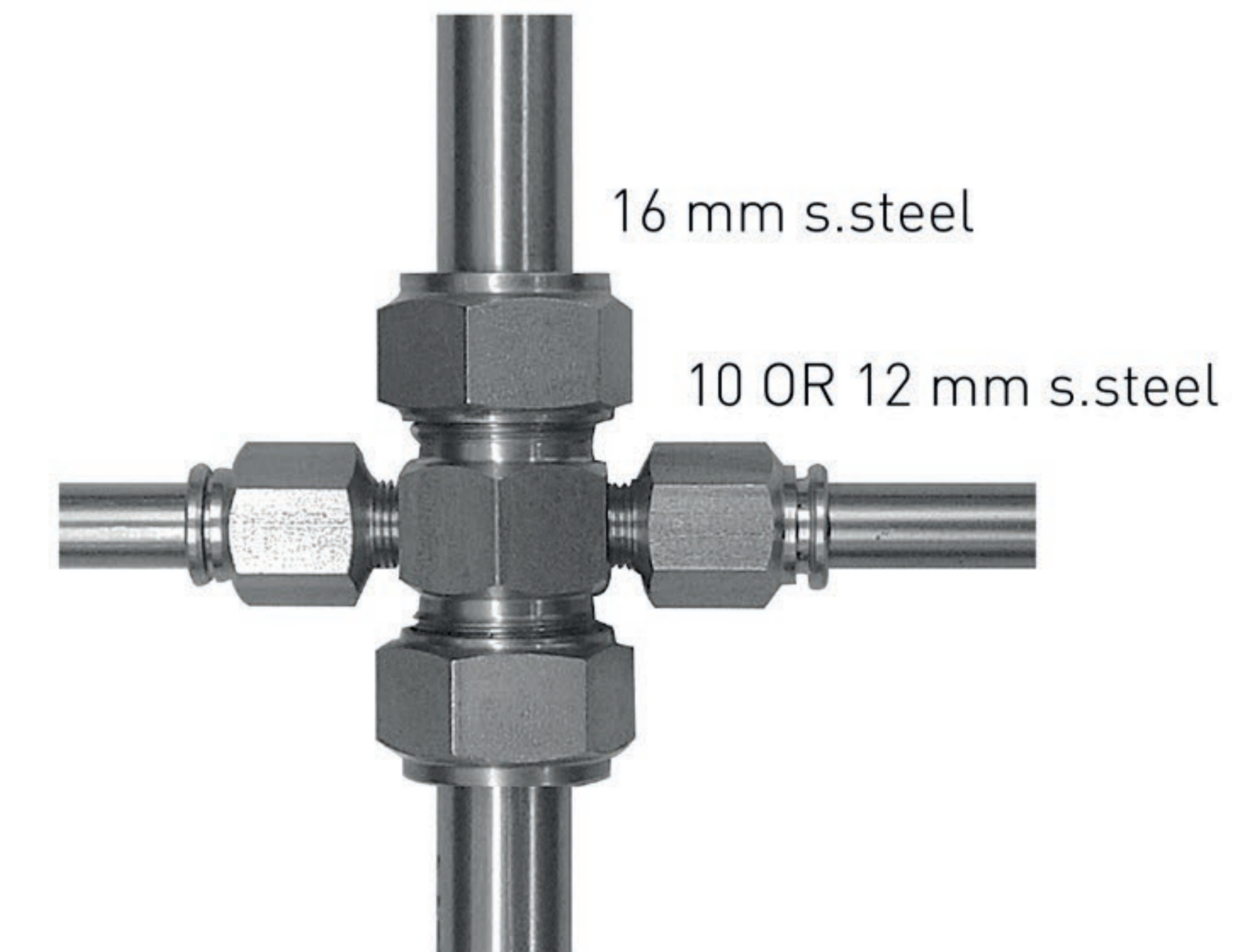


12x1.5 mm stainless steel pipe. Length 3 and 6 M

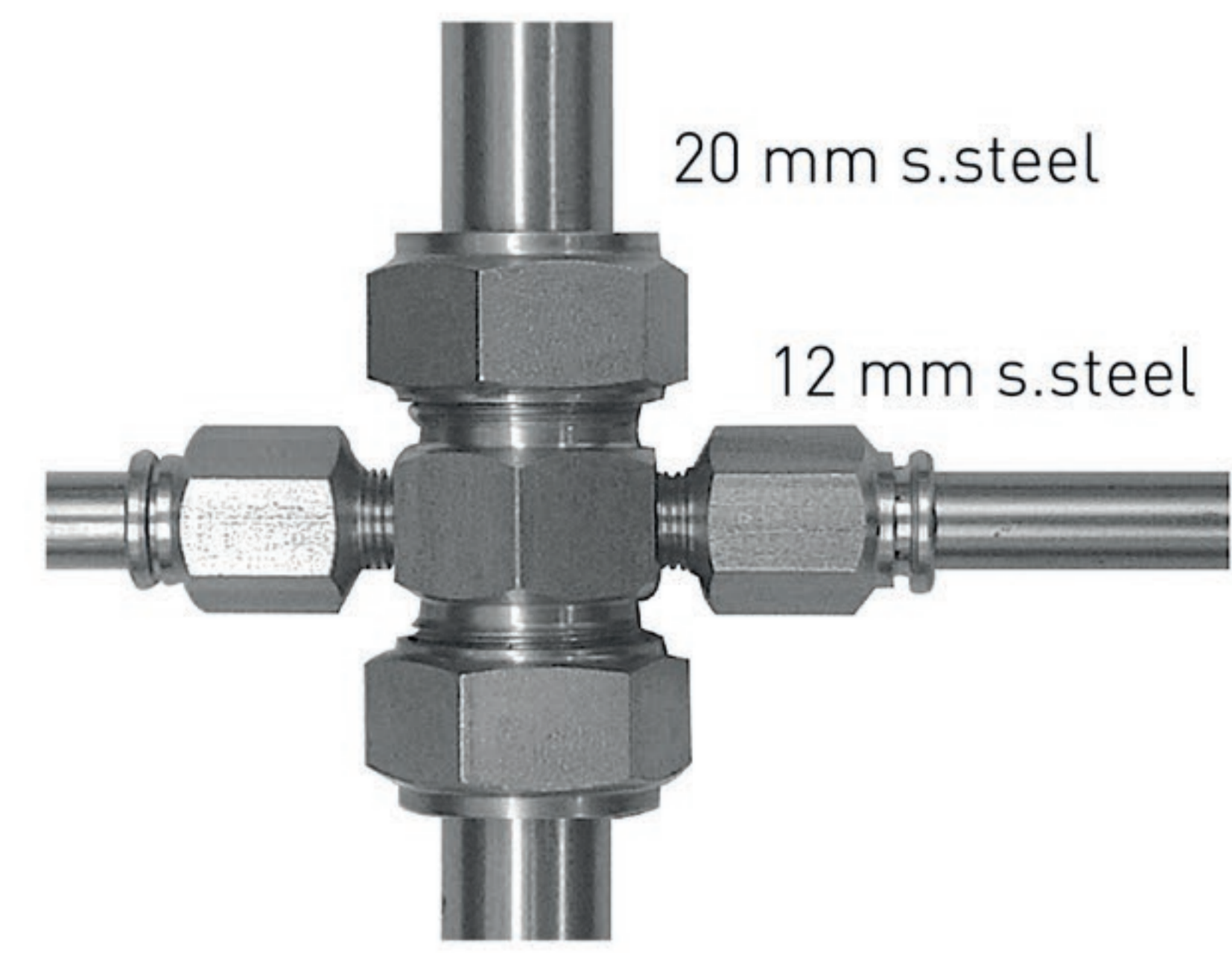
COMPRESSION FITTING CONNECTION



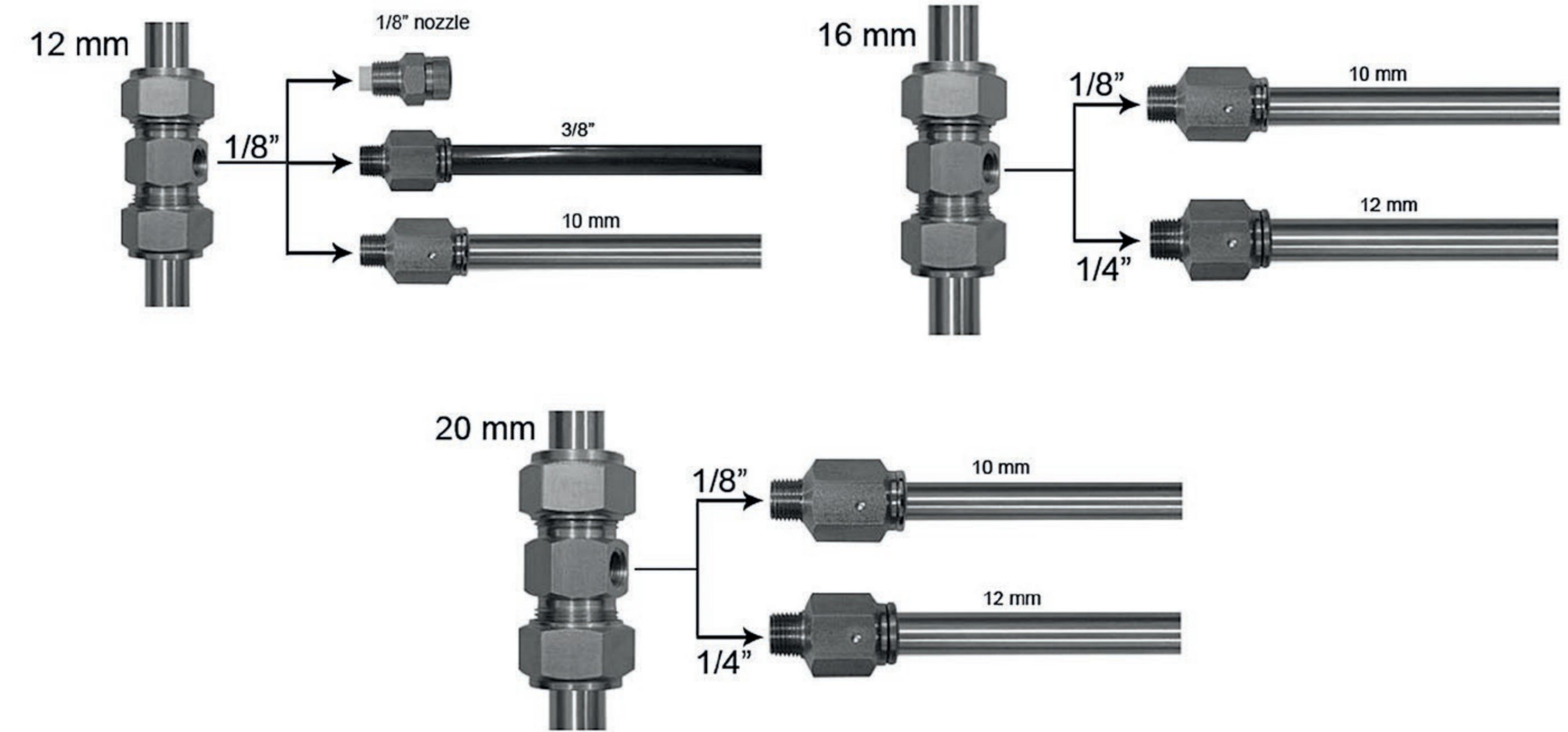
16x1.5 mm S. Steel pipe. This tube is used as supply tube for 10&12 mm nozzle lines. Working pressure is 150 Bar, burst pressure is 300 Bar. For more info see the pressure lost chart.



20x1.5 mm S. Steel pipe. This tube is used as a main supply tube for 16mm tube and 10&12 mm nozzle lines. Working pressure is 150 Bar, burst pressure is 270 Bar. For more info refer to the pressure lost chart.

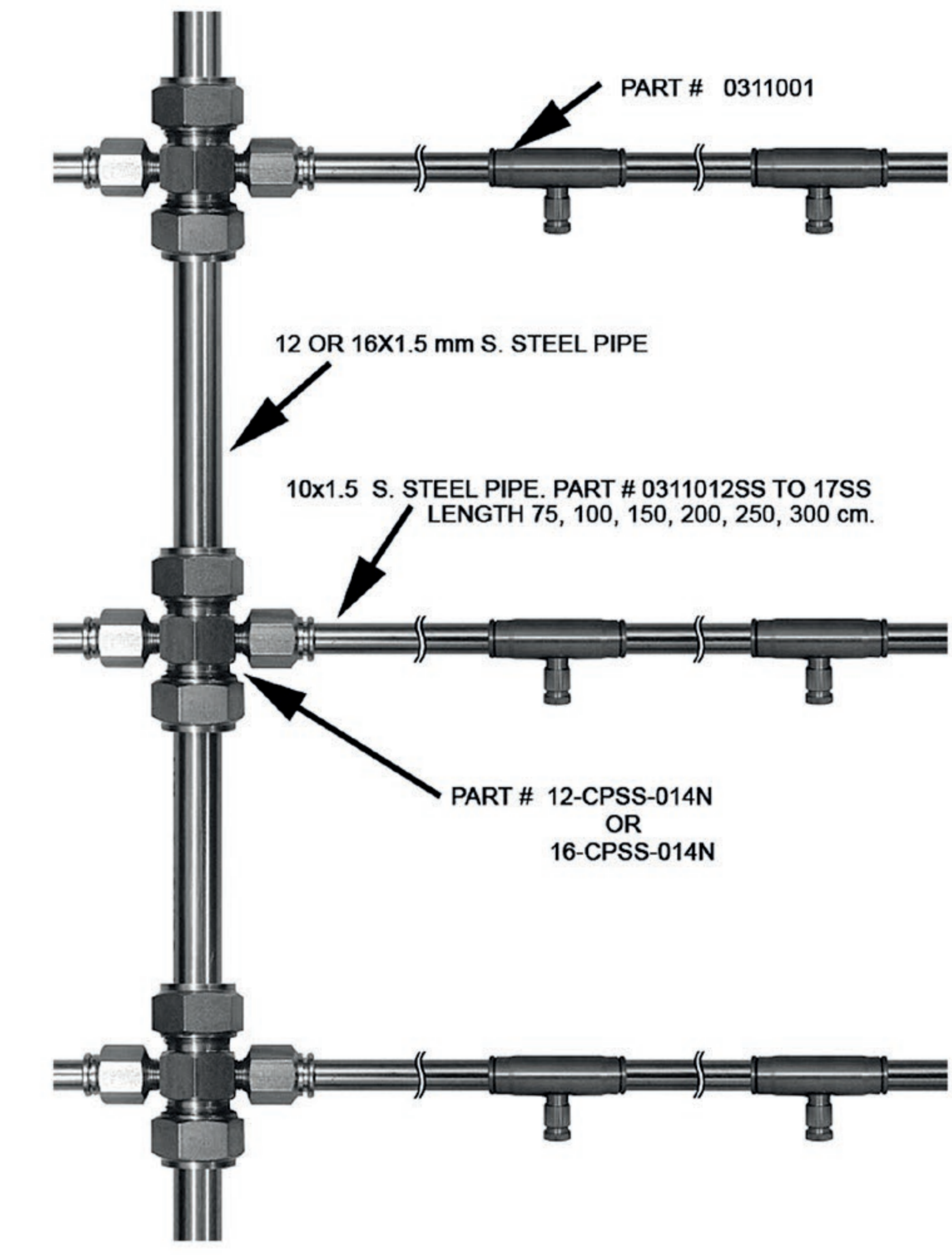


CONNECTION SAMPLES

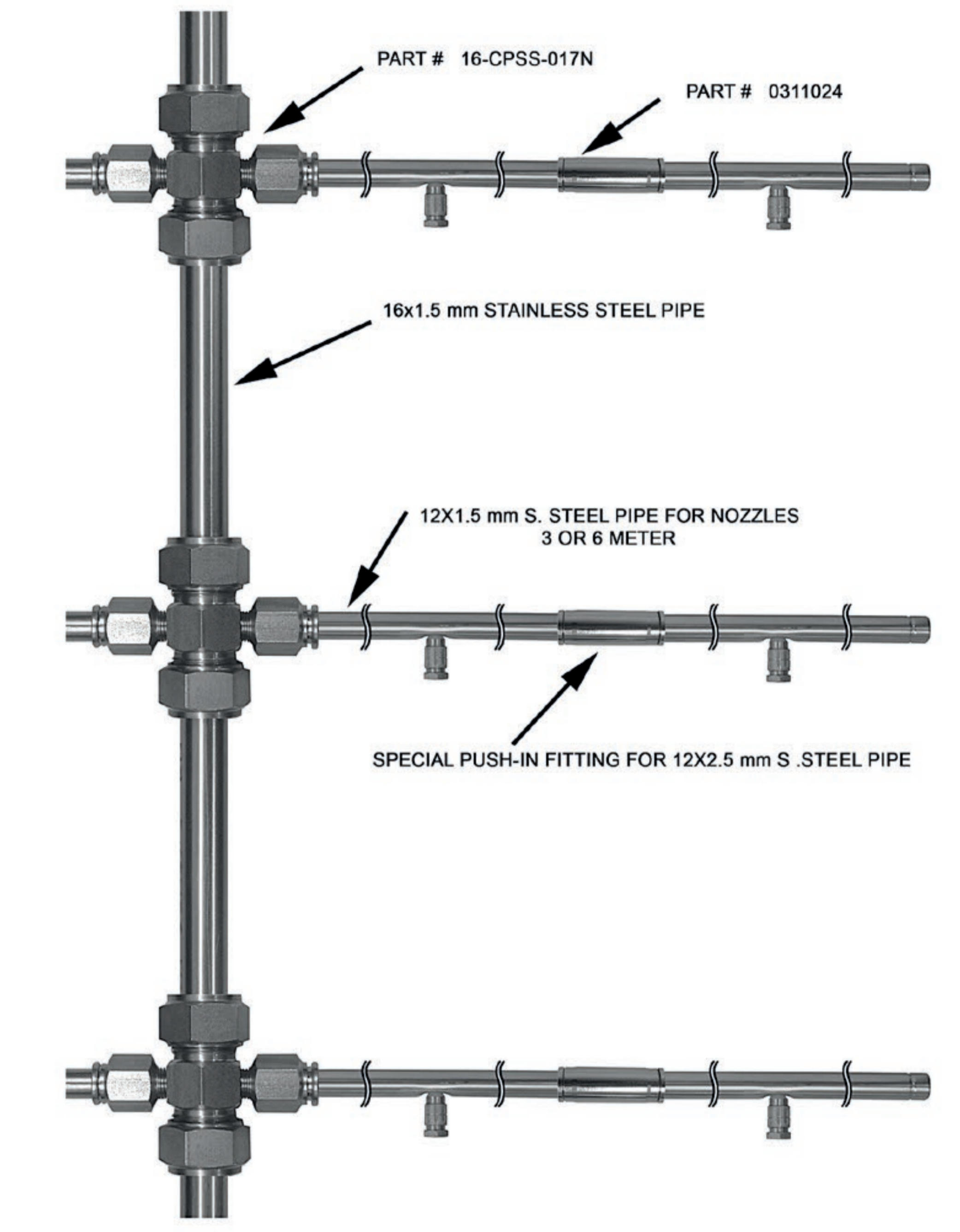


CONNECTION SAMPLES FOR GREENHOUSES

ALL STAINLESS STEEL WITH
10 mm MISTING LINES

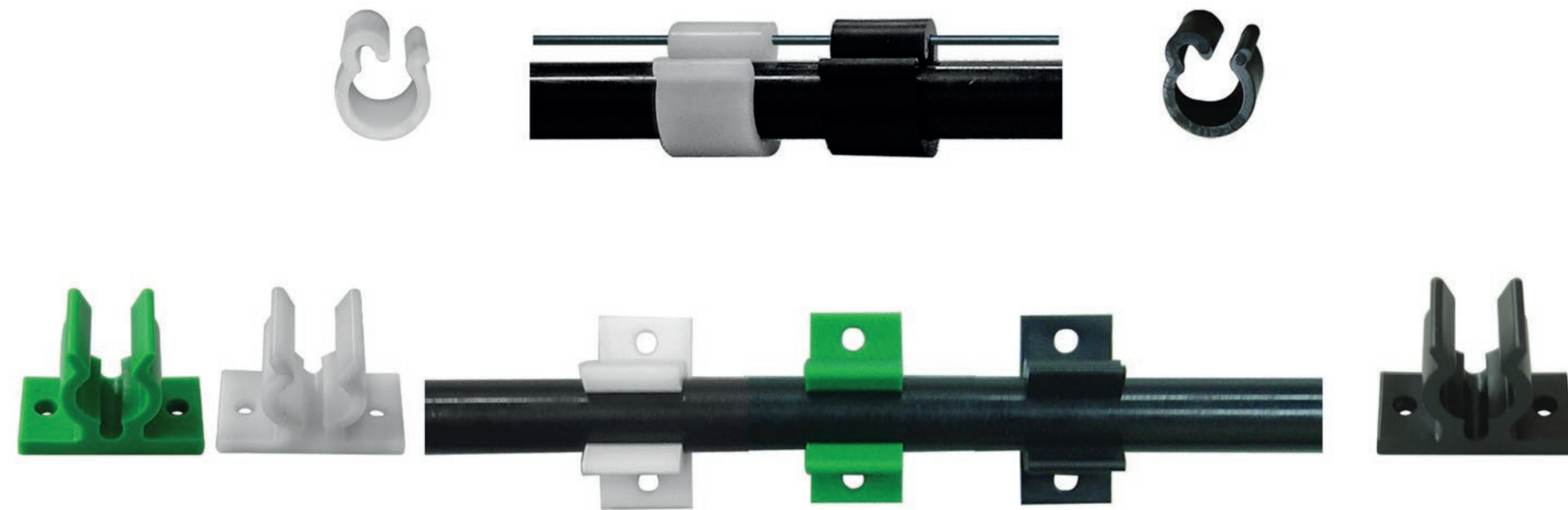


ALL STAINLESS STEEL WITH
12 mm MISTING LINES

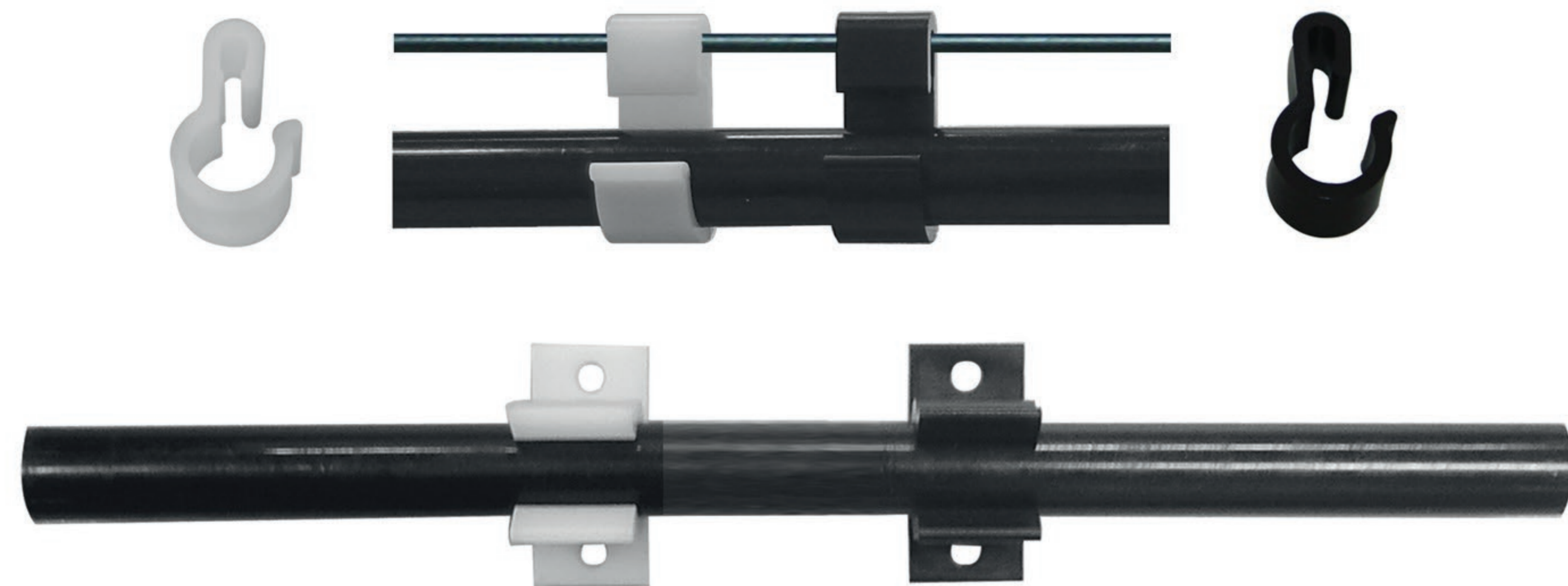


CLIPS AND HANGERS

Plastic clips and hangers for 3/8" tubing

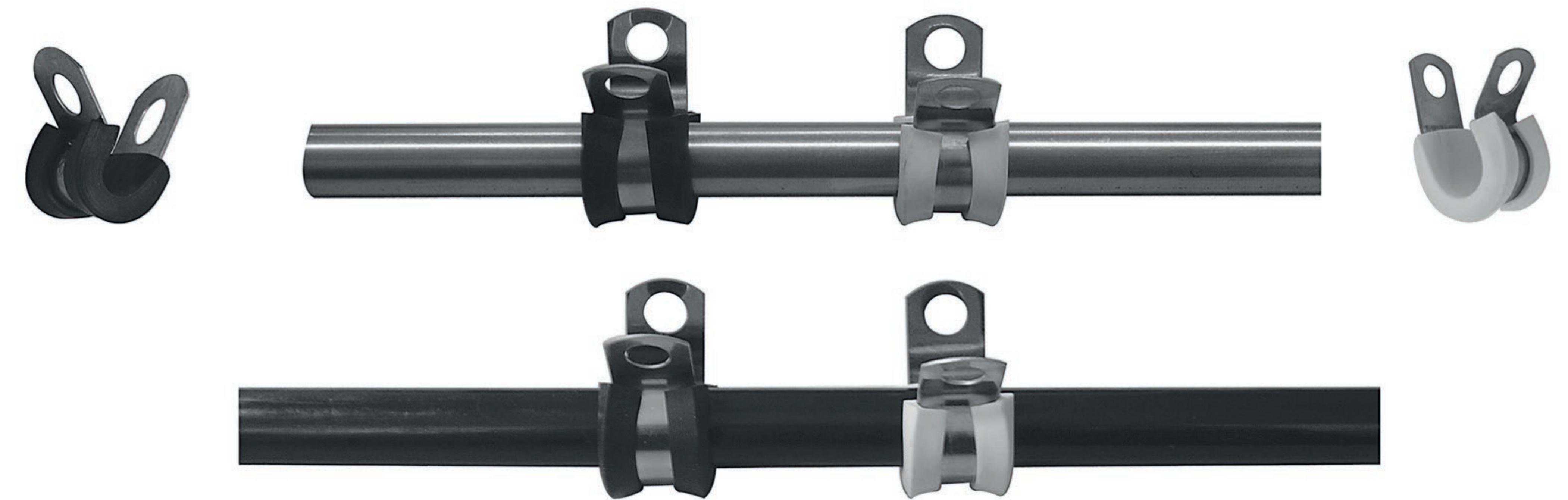


Plastic clips and hangers for 3/12" tubing



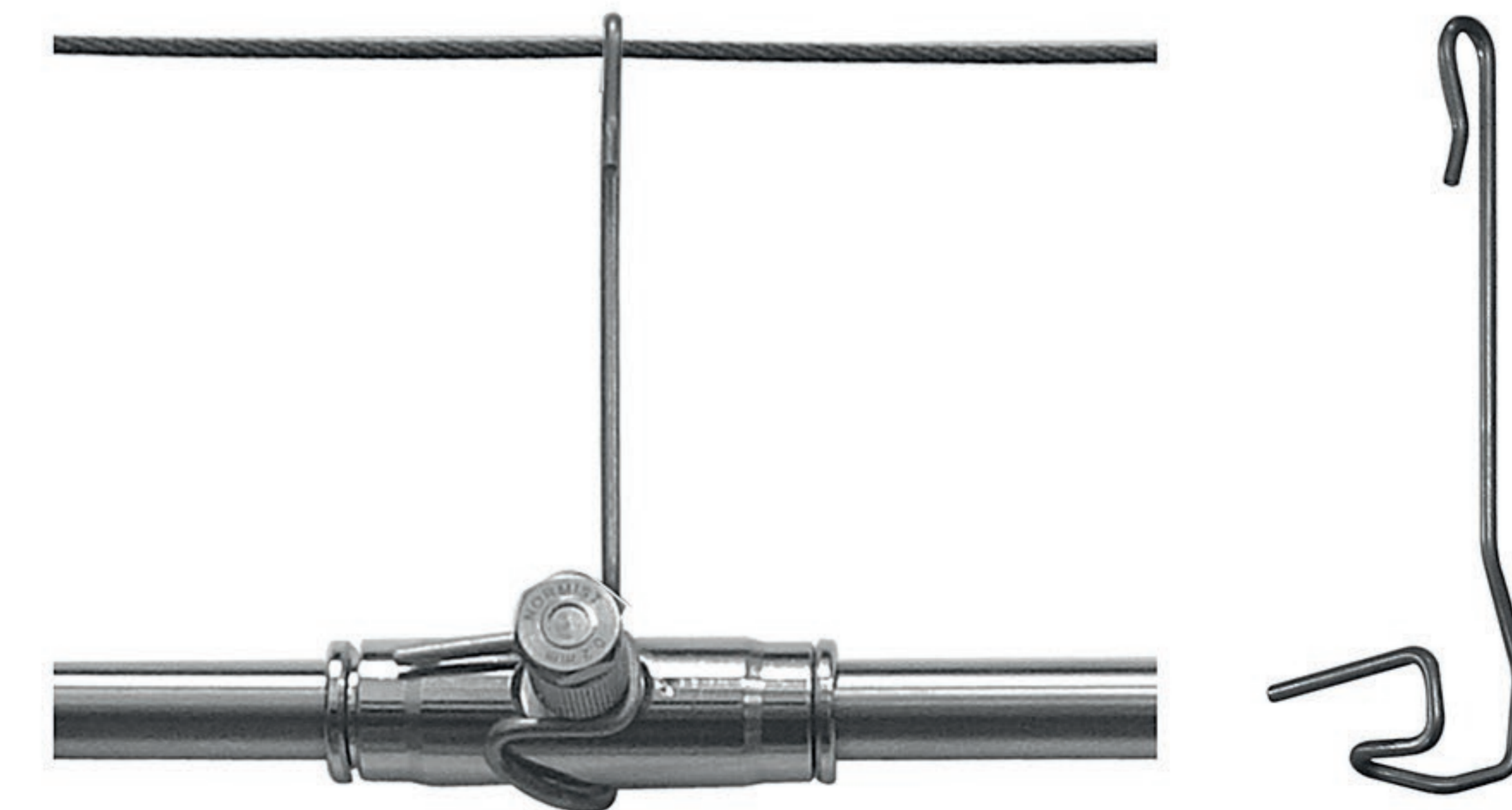
CLAMPS

Stainless steel clamps for 3/16" [5 mm] 5/16" [8 mm] 3/8" and 1/2" tubing



WIRE HANGER

Stainless steel wire hanger for 3/8" and 10 mm nozzle holder fitting



HOW TO USE NYLON TUBING IN GREENHOUSE AND MISTING INSTALLATION

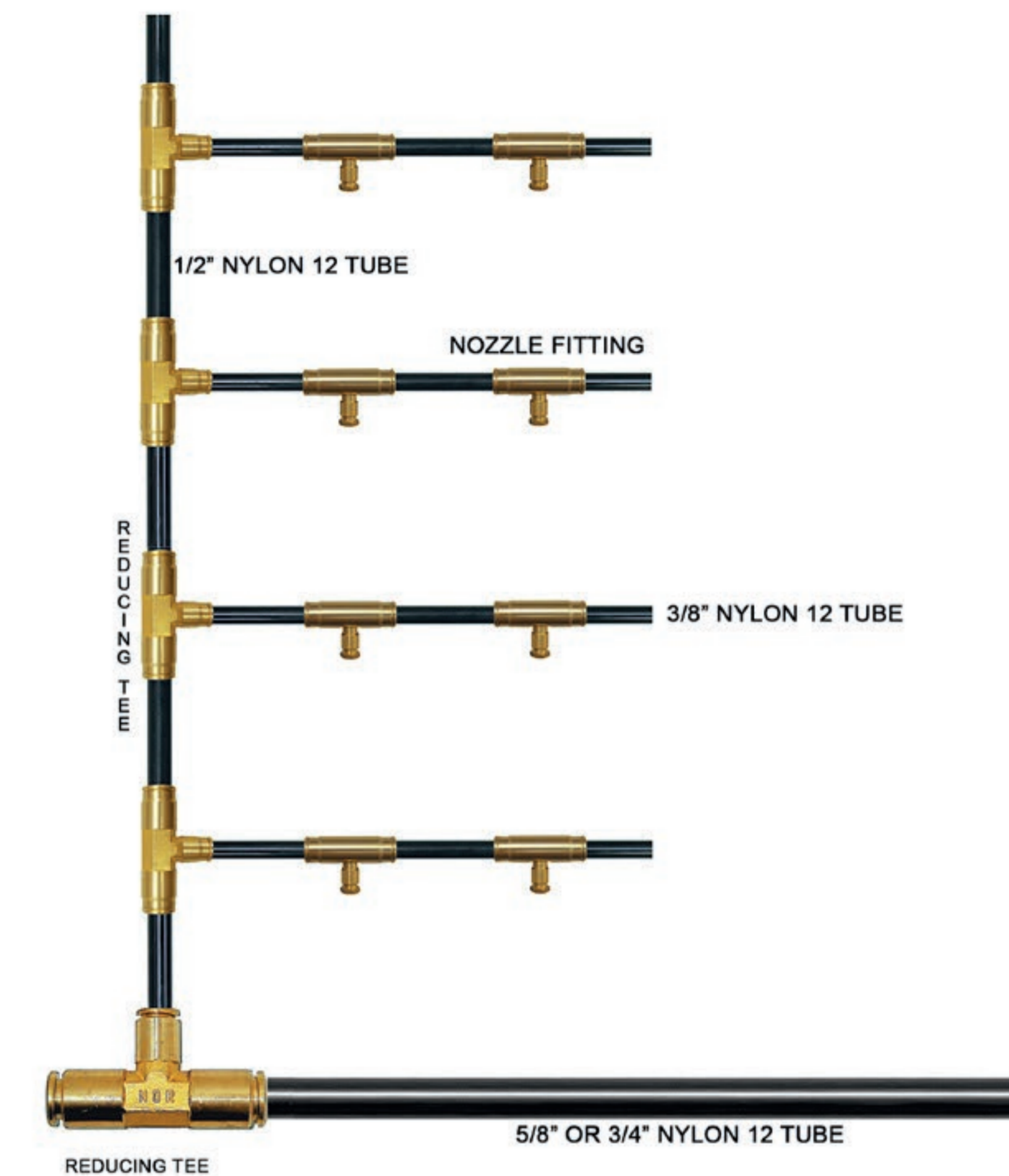
LIST OF AVAILABLE NYLON PIPE

LIST OF AVAILABLE NYLON PIPE

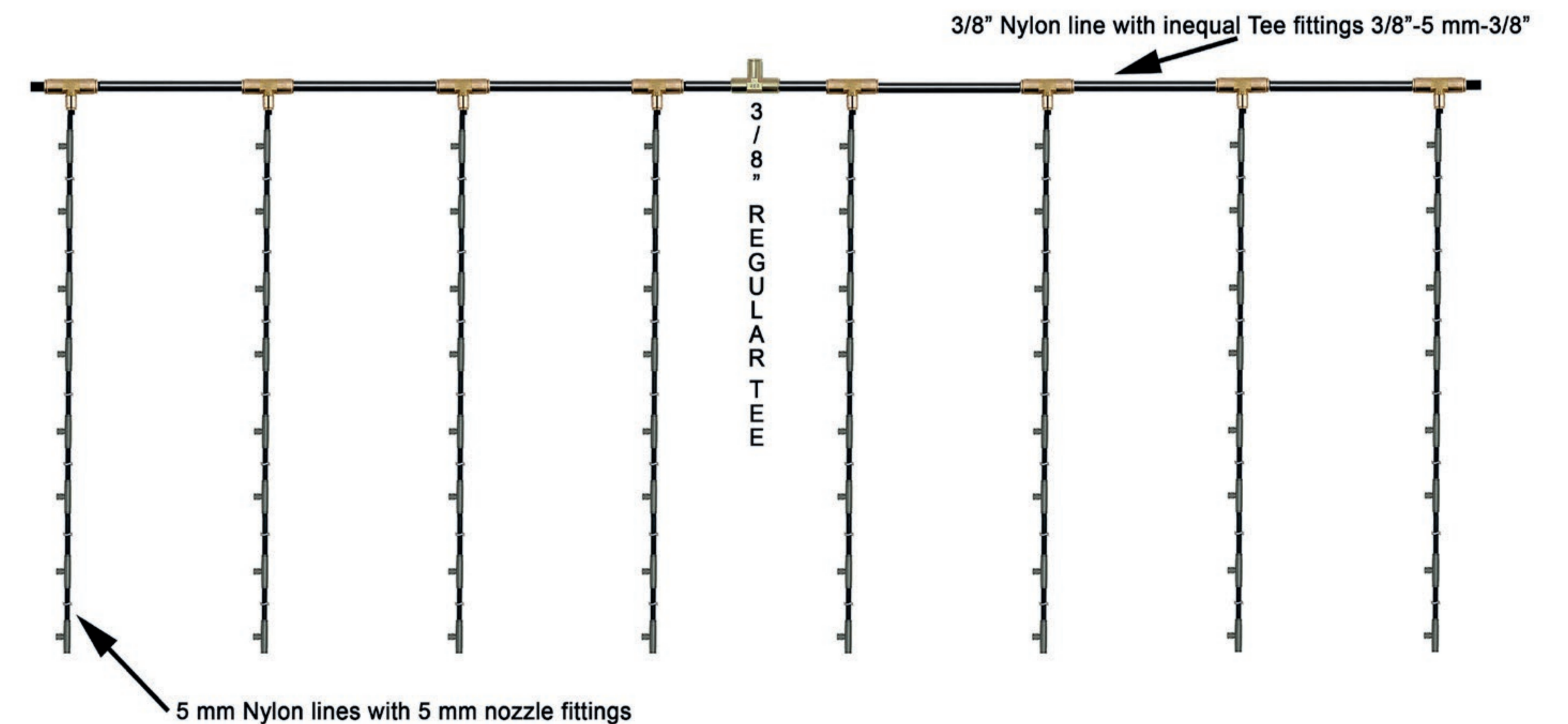
EXT. DIAMETER	INT. DIAMETER	WORKING PRESSURE	BURST PRESSURE
3/16" 5mm	2,5mm	70 BAR	145 BAR
1/4" 6,35mm	3,5mm	70 BAR	135 BAR
5/16" 8mm	4,0mm	70 BAR	143 BAR
3/8" 9,50mm	5,0mm	70 BAR	140 BAR
1/2" 12,7mm	7,0mm	70 BAR	126 BAR
5/8" 15,9mm	8,5mm	70 BAR	132 BAR
3/4" 19,05mm	10,5mm	70 BAR	126 BAR

NYLON PIPES: Nylon tubing are made from Nylon 12. Avoid low cost pipes made of Nylon 6 and Copolymers. We offer our new 5/8" and 3/4" Nylon tubing from small to medium size greenhouse range. 3/8" is used only as nozzle lines. 1/2" tubing is used as a supply line for 3/8" misting lines. Our new 5/8" and 3/4" large tubing are used as main supply line to 1/2" tube lines. Maximum permissible pressure is 80 Bar. Burst pressure is 120/140 Bar. We have many greenhouses working for 10 years without trouble. It is also possible to combine Stainless Steel pipes and Nylon pipes in the same greenhouse. For any kind of installation, Stainless Steel or Nylon 12 our warranty is 5 years for the distribution network.

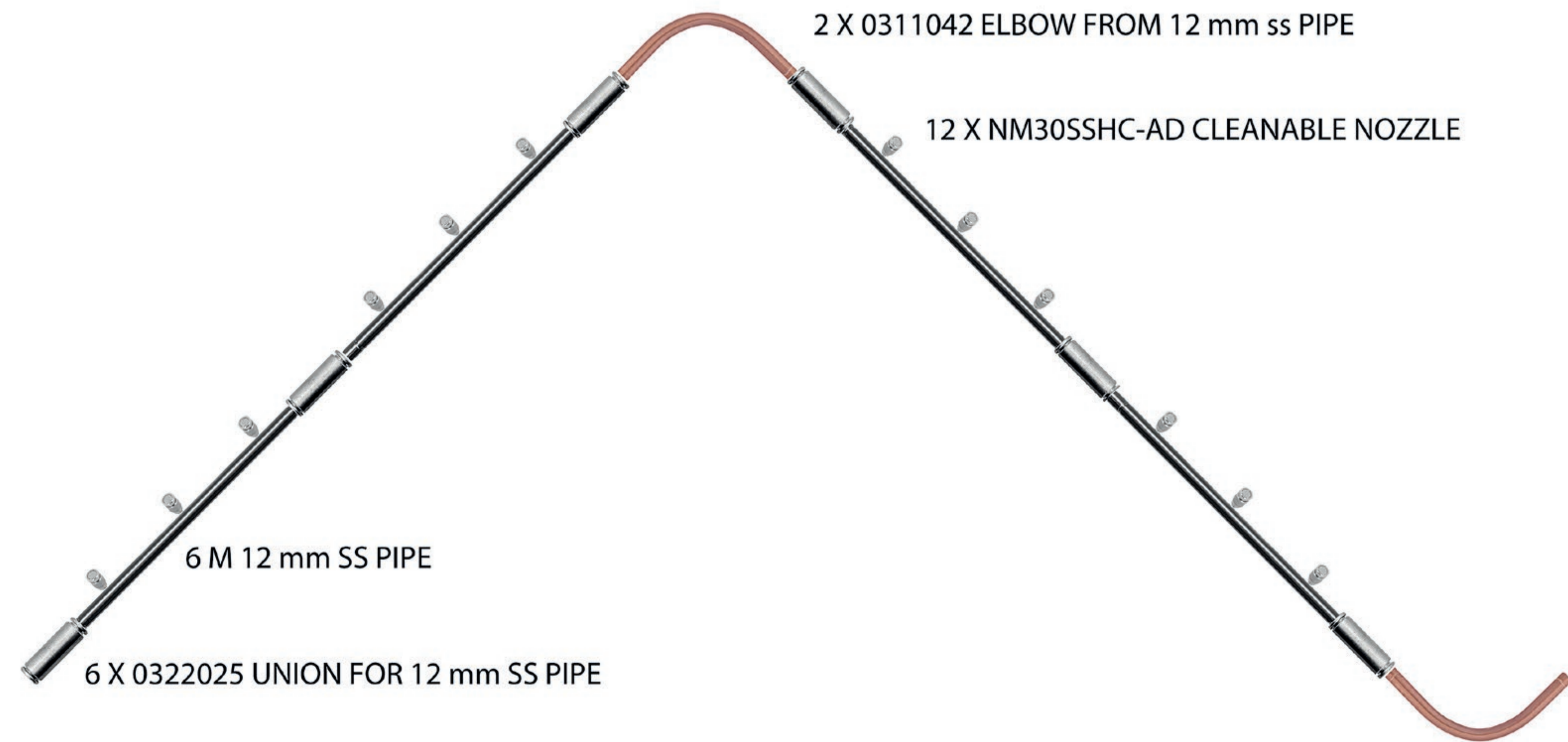
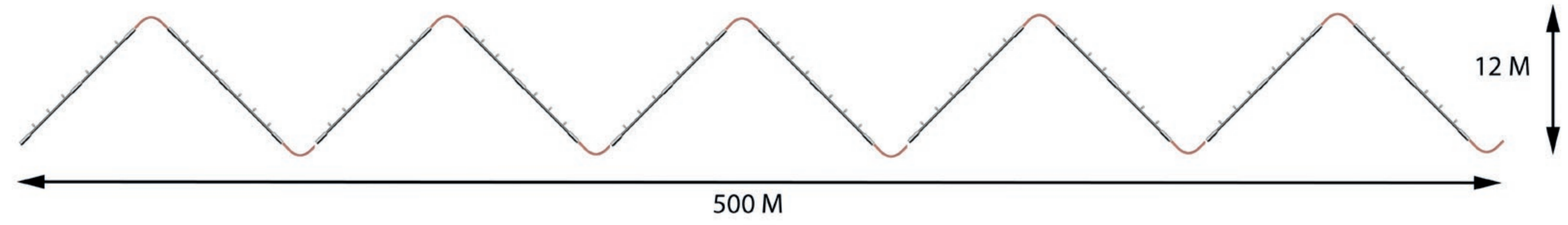
TYPICAL GREENHOUSE APPLICATION WITH NYLON PIPE



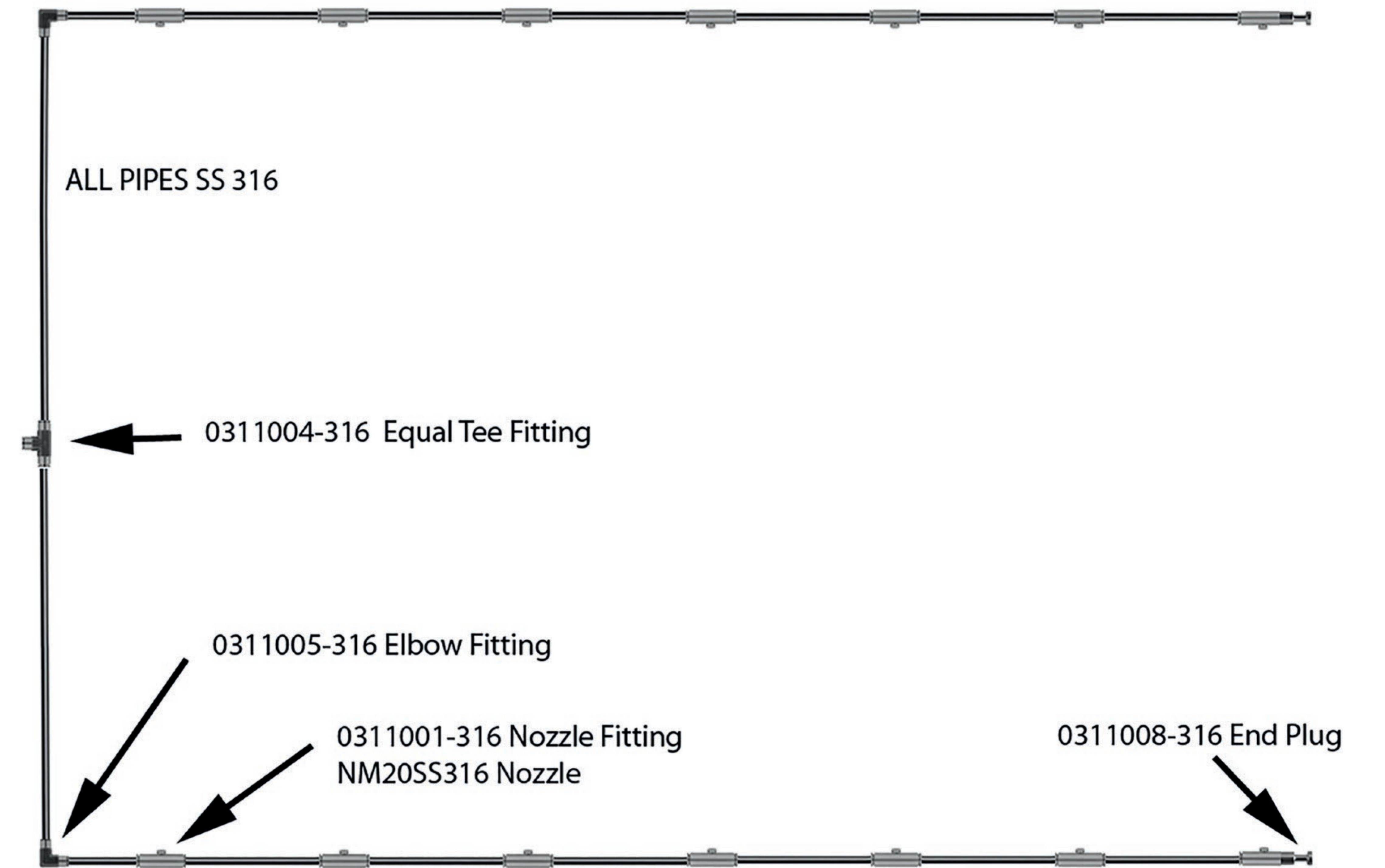
TYPICAL CHICKEN HOUSE WITH NYLON PIPE



TYPICAL STREET COOLING



TYPICAL PIG HOUSE COOLING
ALL PARTS MUST BE SS 316



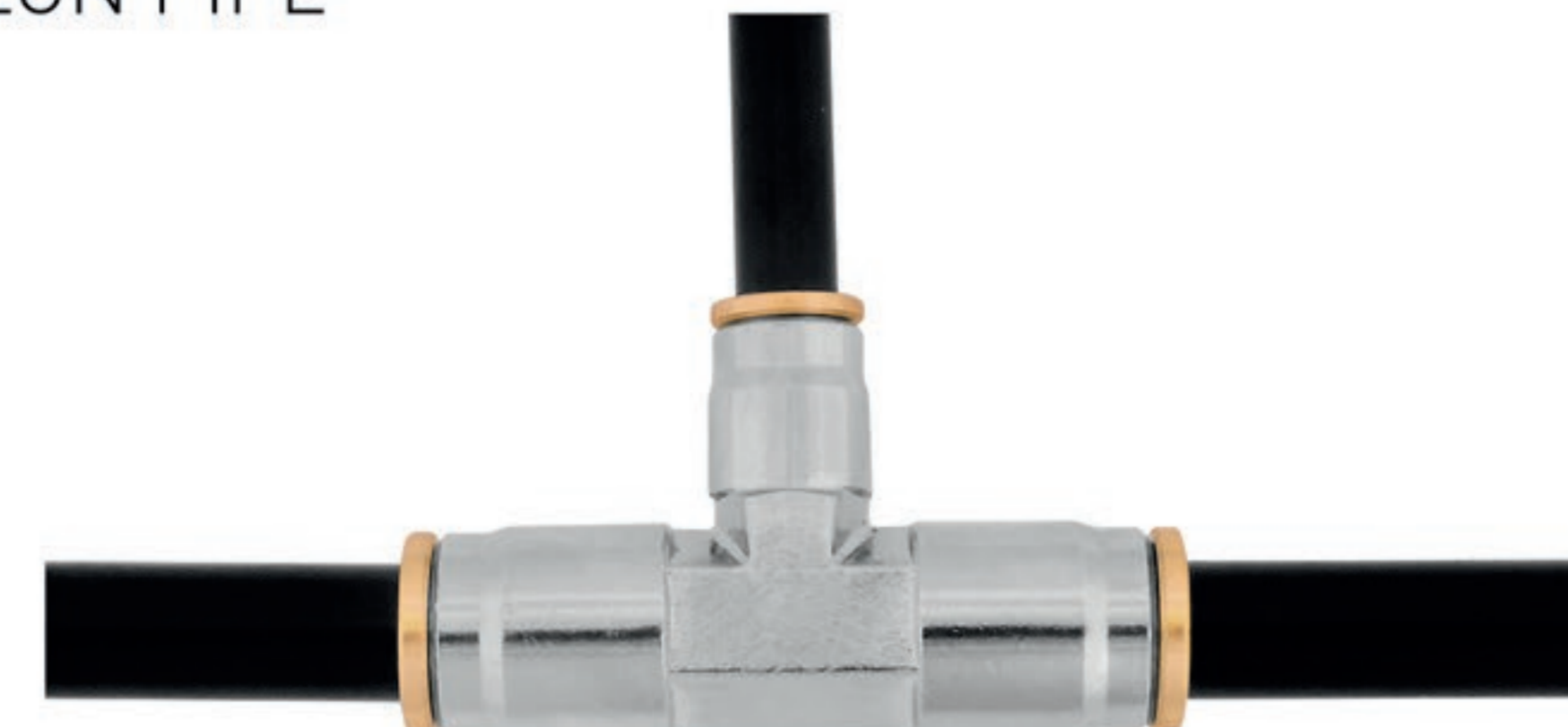
REDUCING FITTINGS FOR NYLON PIPE



3/8" / 5 mm / 3/8"



3/8" / 8 mm / 3/8"



1/2" / 3/8" / 1/2"

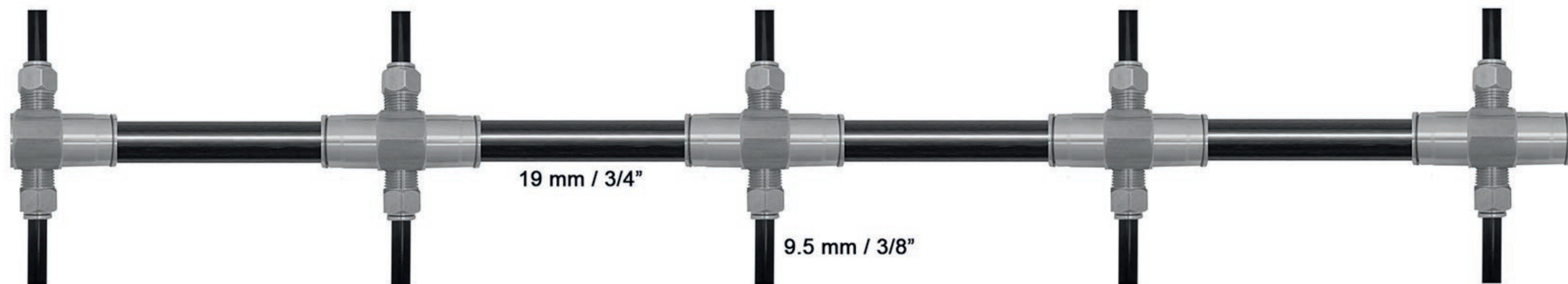


1/2" to 3/8" mm



1/2" to 8 mm

NEW 3/4" (19 mm) NYLON PIPE APPLICATION



19 mm / 3/4"

9.5 mm / 3/8"

CONNECTION-CLAMP CLIPS AND HANGERS

